

A

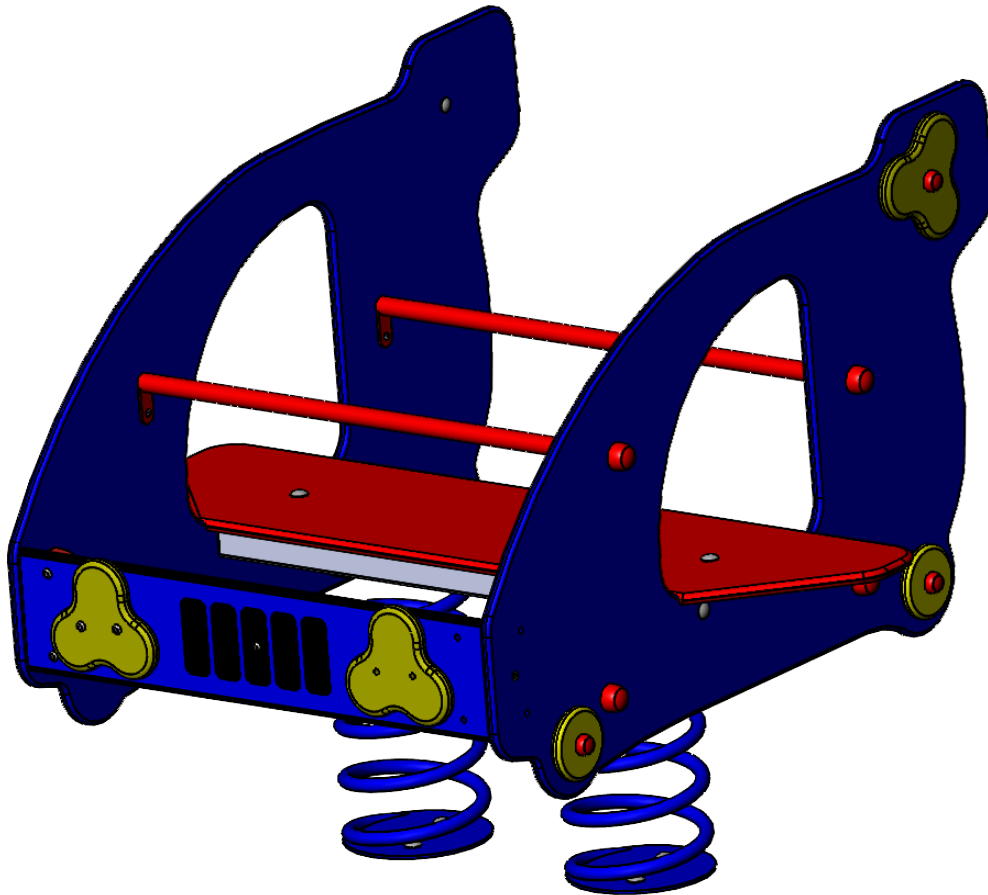
B

C

D

E

F



UNLESS OTHERWISE SPECIFIED:  
 DIMENSIONS ARE IN MILLIMETERS  
 WEIGHT ARE IN KILOGRAMM

PART NUMBER / DWG NO.:

VLI54

	NAME	SIGNATURE	DATE	REVISION
DRAWN	E.Reispere		22.03.2022	
APPVD				

DESCRIPTION:

Spring swing Aircraft



Tiptiptap<sup>00</sup>

MATERIAL:

metal, plastic

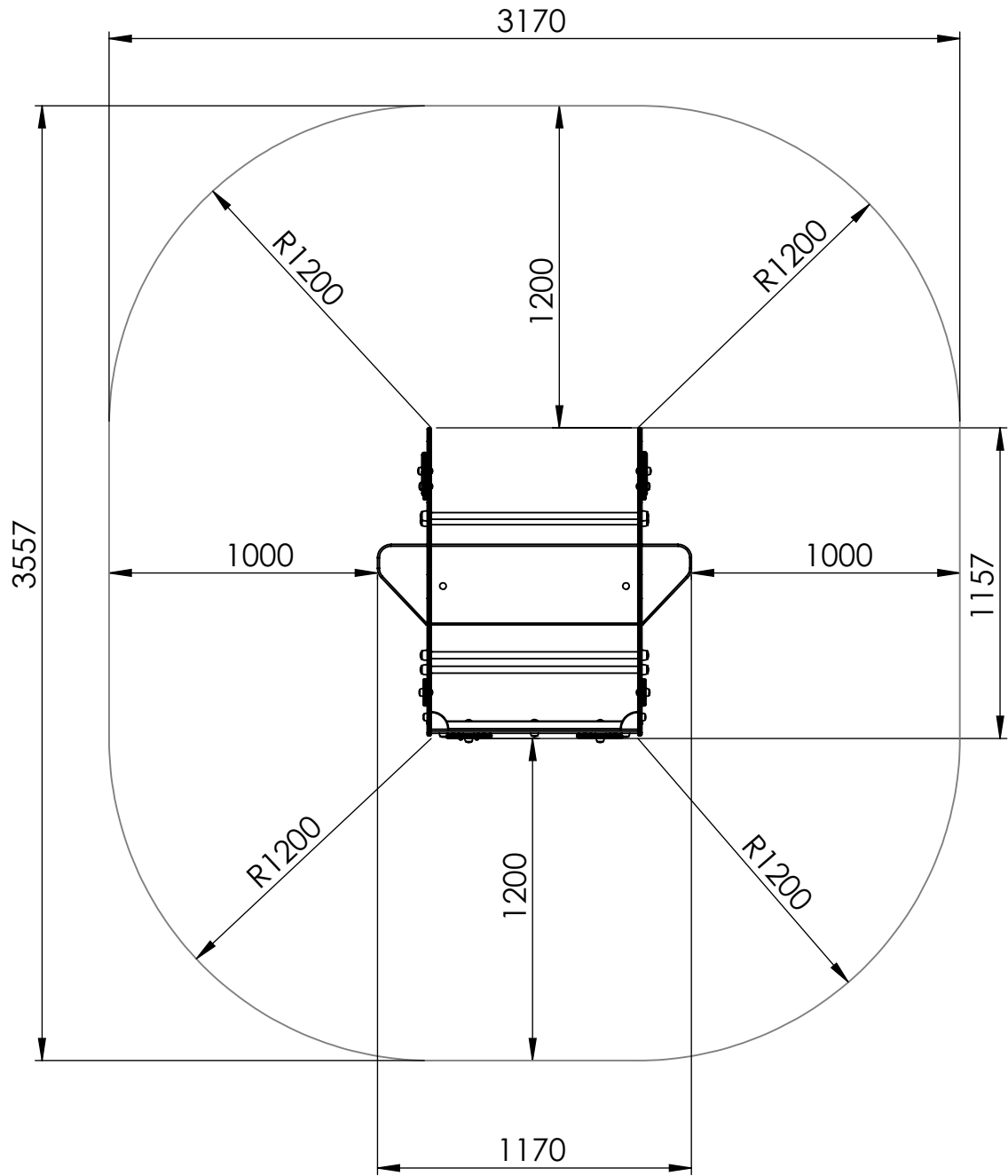
A4

WEIGHT:

SCALE: 1:10

SHEET 1 OF 14

Safety area



UNLESS OTHERWISE SPECIFIED:  
DIMENSIONS ARE IN MILLIMETERS  
WEIGHT ARE IN KILOGRAMM

PART NUMBER / DWG NO.:

VLI54

	NAME	SIGNATURE	DATE	REVISION
DRAWN	E.Reispere		22.03.2022	
APPV'D				

DESCRIPTION:

Spring swing Aircraft

MATERIAL:

metal, plastic

A4

WEIGHT:

SCALE: 1:25

SHEET 2 OF 14



Tiptiptap<sup>ÖÜ</sup>

# Foundation

A

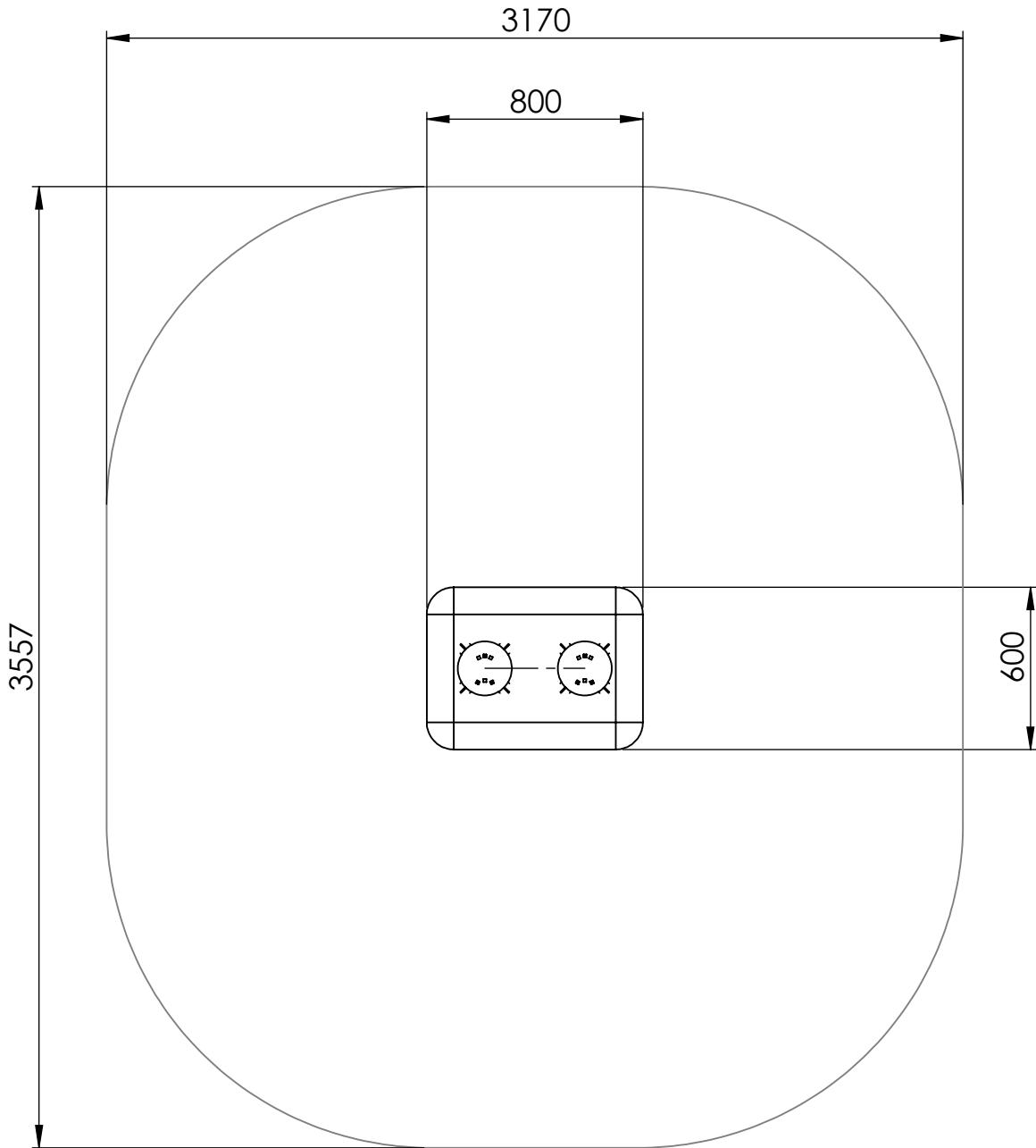
B

C

D

E

F



UNLESS OTHERWISE SPECIFIED:  
 DIMENSIONS ARE IN MILLIMETERS  
 WEIGHT ARE IN KILOGRAMM

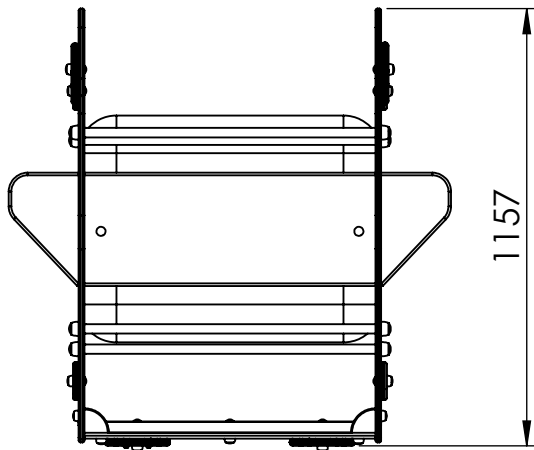
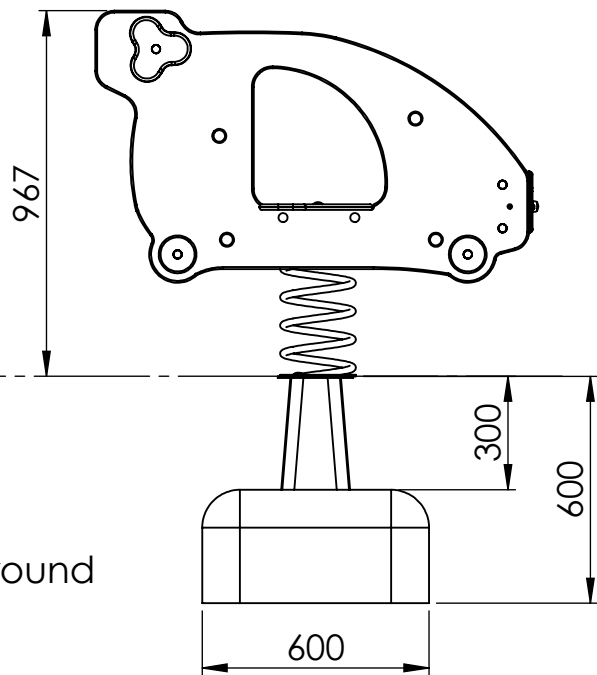
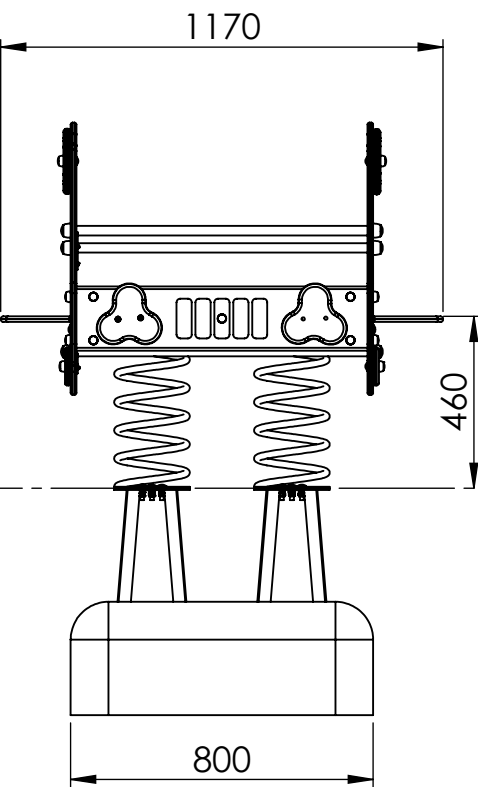
PART NUMBER / DWG NO.: **VLI54**

	NAME	SIGNATURE	DATE	REVISION
DRAWN	E.Reispere		22.03.2022	
APPV'D				

DESCRIPTION:  
**Spring swing Aircraft**



MATERIAL:	metal, plastic	A4
WEIGHT:	SCALE: 1:25	SHEET 3 OF 14



UNLESS OTHERWISE SPECIFIED:  
DIMENSIONS ARE IN MILLIMETERS  
WEIGHT ARE IN KILOGRAMM

PART NUMBER / DWG NO.:  
**VLI54**

	NAME	SIGNATURE	DATE	REVISION
DRAWN	E.Reispere		22.03.2022	
APPV'D				

DESCRIPTION:  
**Spring swing Aircraft**



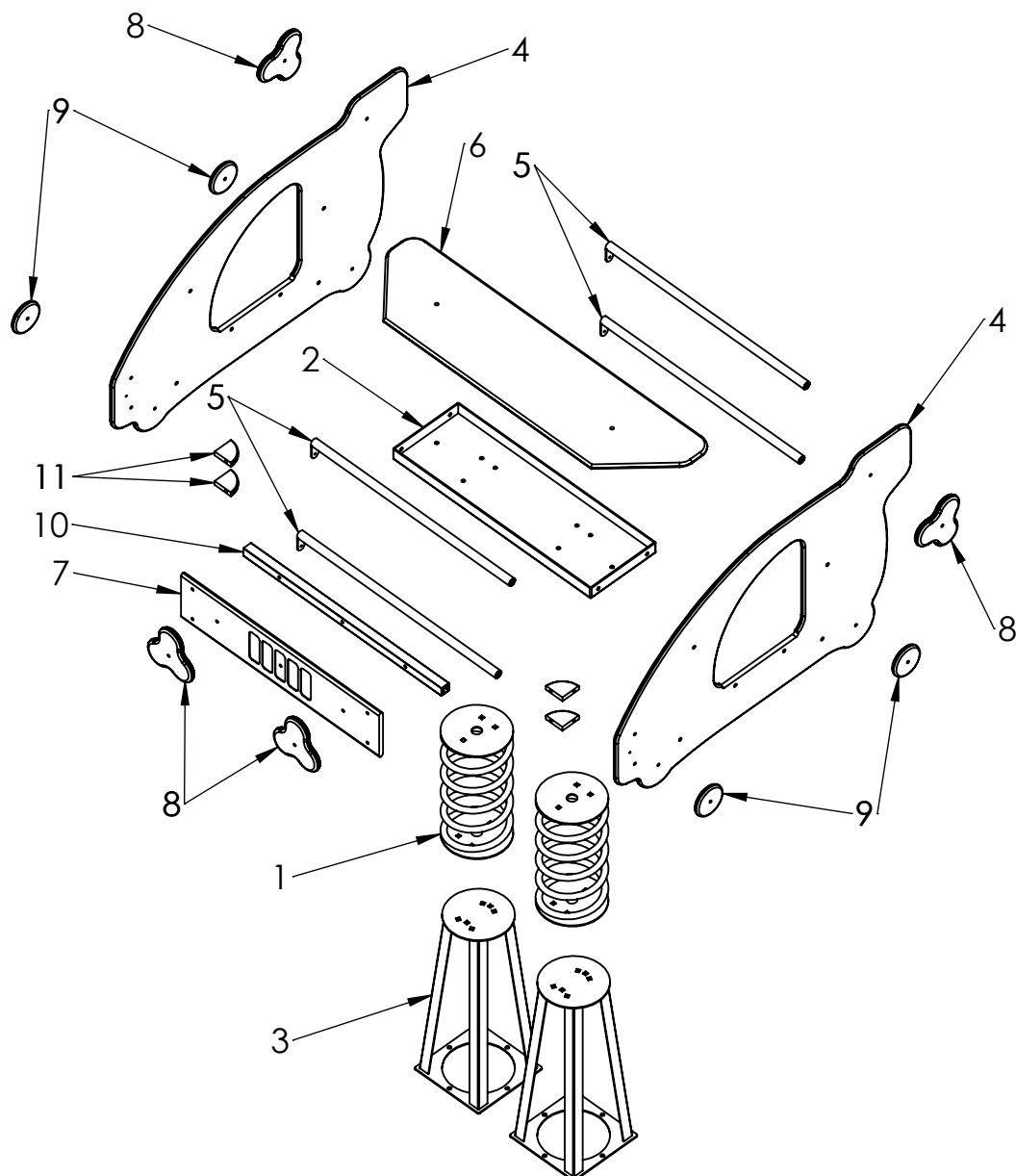
MATERIAL:	metal, plastic	A4
WEIGHT:	SCALE: 1:20	SHEET 4 OF 14

A

B

C

D



ITEM NO.	PART NUMBER
1	spring with spring disk
2	central console
3	ground fixing
4	VLI54 side panel
5	Tube D25x770
6	VLI54 Aircraft seat
7	front panel
8	VLI54 impeller
9	VLI54 Aircraft wheels
10	VLI54 AL 30x30x770
11	plastic corner 90°

UNLESS OTHERWISE SPECIFIED:  
DIMENSIONS ARE IN MILLIMETERS  
WEIGHT ARE IN KILOGRAMM

	NAME	SIGNATURE	DATE	REVISION
DRAWN	E.Reispere		22.03.2022	
APPV'D				

PART NUMBER / DWG NO.:

VLI54

DESCRIPTION:

Spring swing Aircraft

MATERIAL:

metal, plastic

A4

WEIGHT:

SCALE: 1:20

SHEET 5 OF 14



**Tiptap** OÜ

A

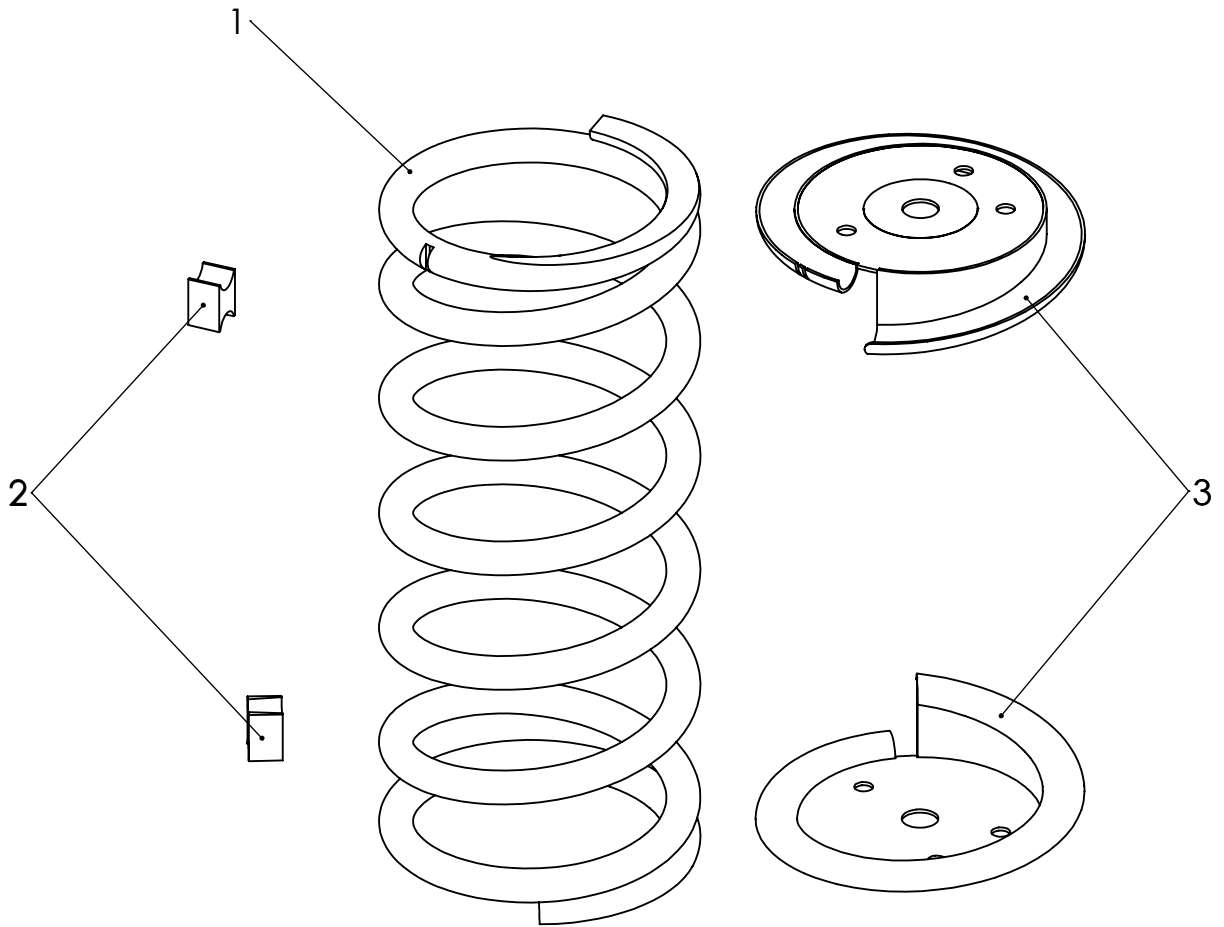
B

C

D

E

F



ITEM NO.	PART NUMBER	DESCRIPTION	QTY.
1	spring	painting steel	1
2	distance block	HP plastic	2
3	spring plate	painting steel	2

UNLESS OTHERWISE SPECIFIED:  
 DIMENSIONS ARE IN MILLIMETERS  
 WEIGHT ARE IN KILOGRAMM

PART NUMBER / DWG NO.:

	NAME	SIGNATURE	DATE	REVISION
DRAWN	E.Reispere		22.03.2022	
APPV'D				

DESCRIPTION:



**Tiptiptap** OÜ

MATERIAL:

metal, plastic

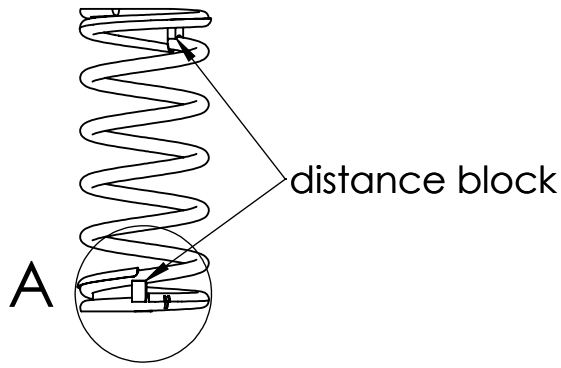
A4

WEIGHT:

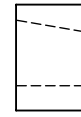
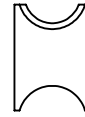
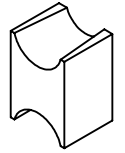
SCALE: 1:4

SHEET 6 OF 14

A



view 1



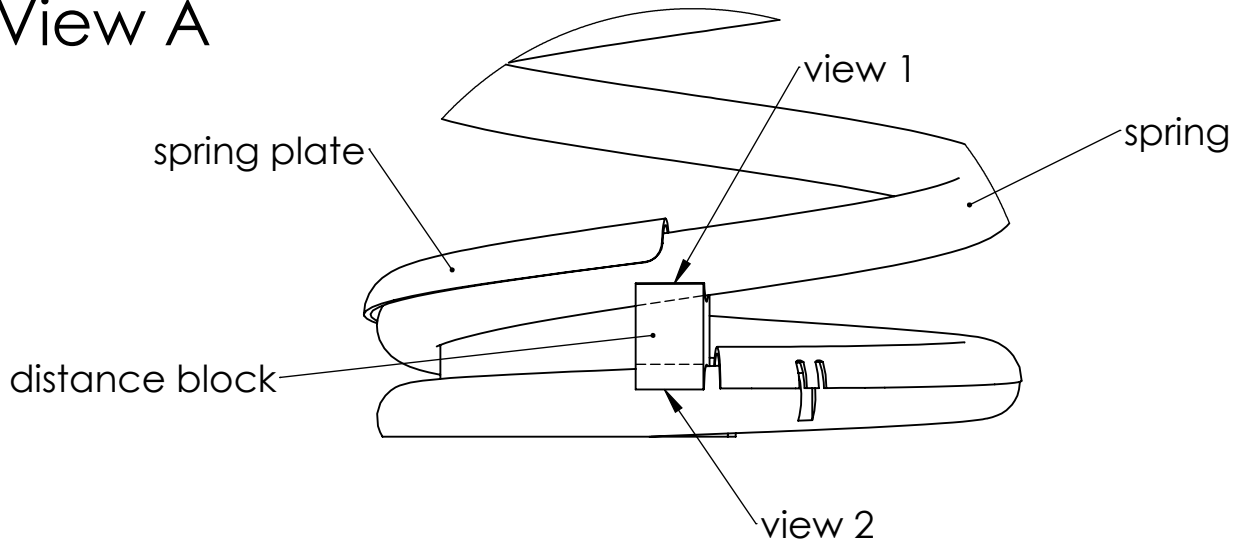
view 2



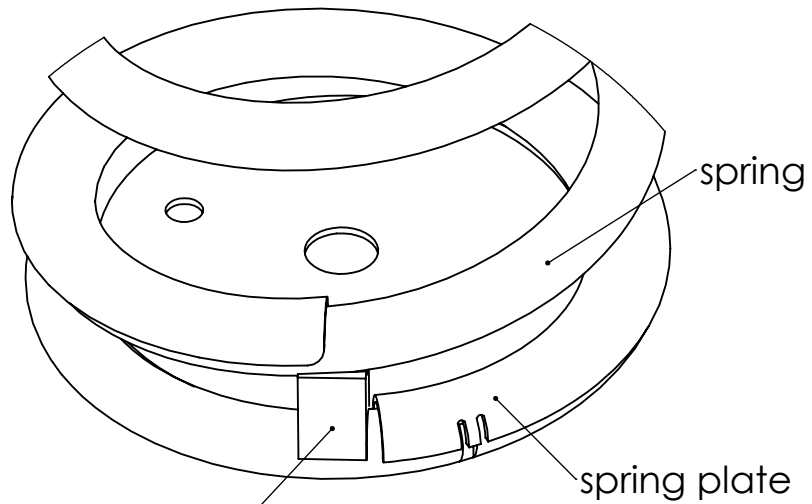
B

# View A

C



D



E

F

UNLESS OTHERWISE SPECIFIED:  
DIMENSIONS ARE IN MILLIMETERS  
WEIGHT ARE IN KILOGRAMM

PART NUMBER / DWG NO.:

	NAME	SIGNATURE	DATE	REVISION
DRAWN	E.Reispere		22.03.2022	
APPV'D				

DESCRIPTION:



# Tiptiptap<sup>OO</sup>

MATERIAL:

metal, plastic

A4

WEIGHT:

SCALE: 1:4

SHEET 7 OF 14

A

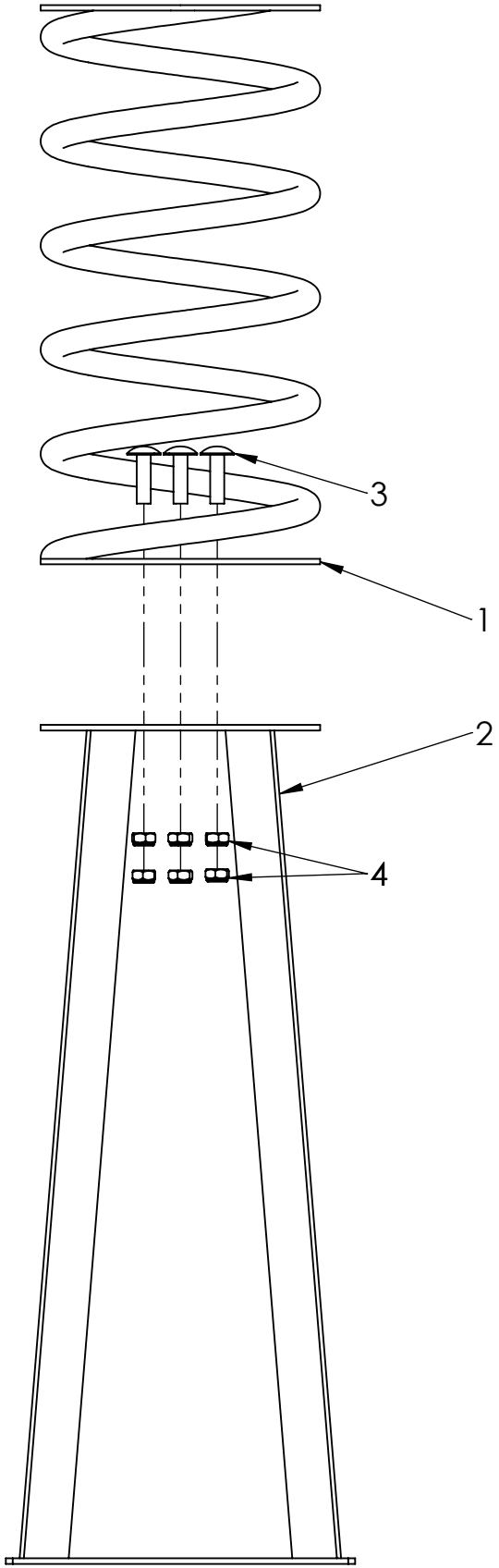
B

C

D

E

F



ITEM NO.	PART NUMBER
1	spring with spring disk
2	ground fixing
3	bolt DIN603 M10x35
4	nut DIN985 M10

UNLESS OTHERWISE SPECIFIED: DIMENSIONS ARE IN MILLIMETERS WEIGHT ARE IN KILOGRAMM				
	NAME	SIGNATURE	DATE	REVISION
DRAWN	E.Reispere		22.03.2022	
APPV'D				

PART NUMBER / DWG NO.:	VLI54
DESCRIPTION:	Spring swing Aircraft



MATERIAL:	metal, plastic	A4
WEIGHT:	SCALE: 1:5	SHEET 8 OF 14

A

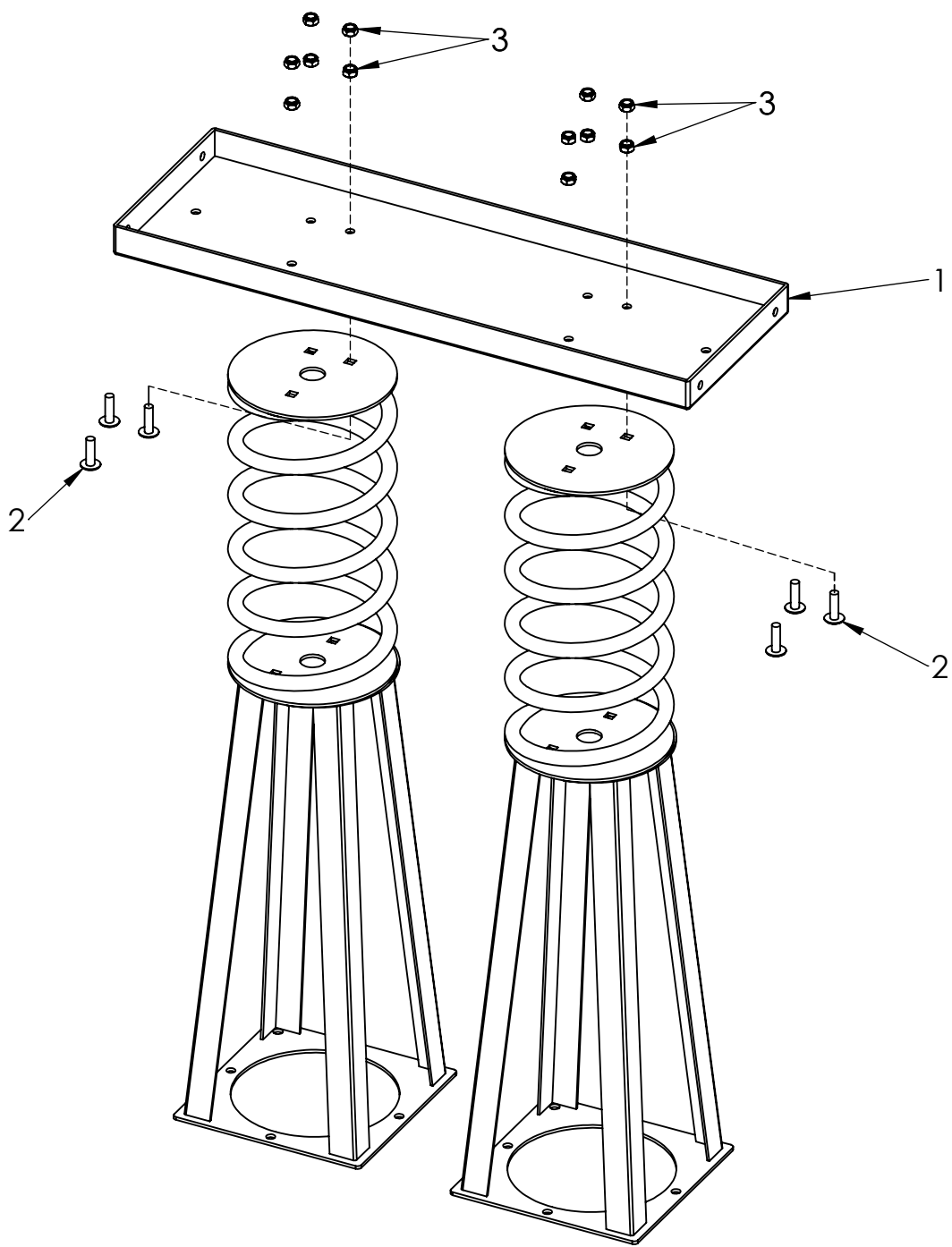
B

C

D

E

F



ITEM NO.	PART NUMBER
1	central console
2	bolt DIN603 M10x35
3	nut DIN985 M10

UNLESS OTHERWISE SPECIFIED: DIMENSIONS ARE IN MILLIMETERS WEIGHT ARE IN KILOGRAMM				
	NAME	SIGNATURE	DATE	REVISION
DRAWN	E.Reispere		22.03.2022	
APPV'D				

PART NUMBER / DWG NO.:		VLI54	
DESCRIPTION: Spring swing Aircraft			
MATERIAL:		metal, plastic	A4
WEIGHT:		SCALE: 1:10	SHEET 9 OF 14



**Tiptiptap** <sup>OO</sup>

A

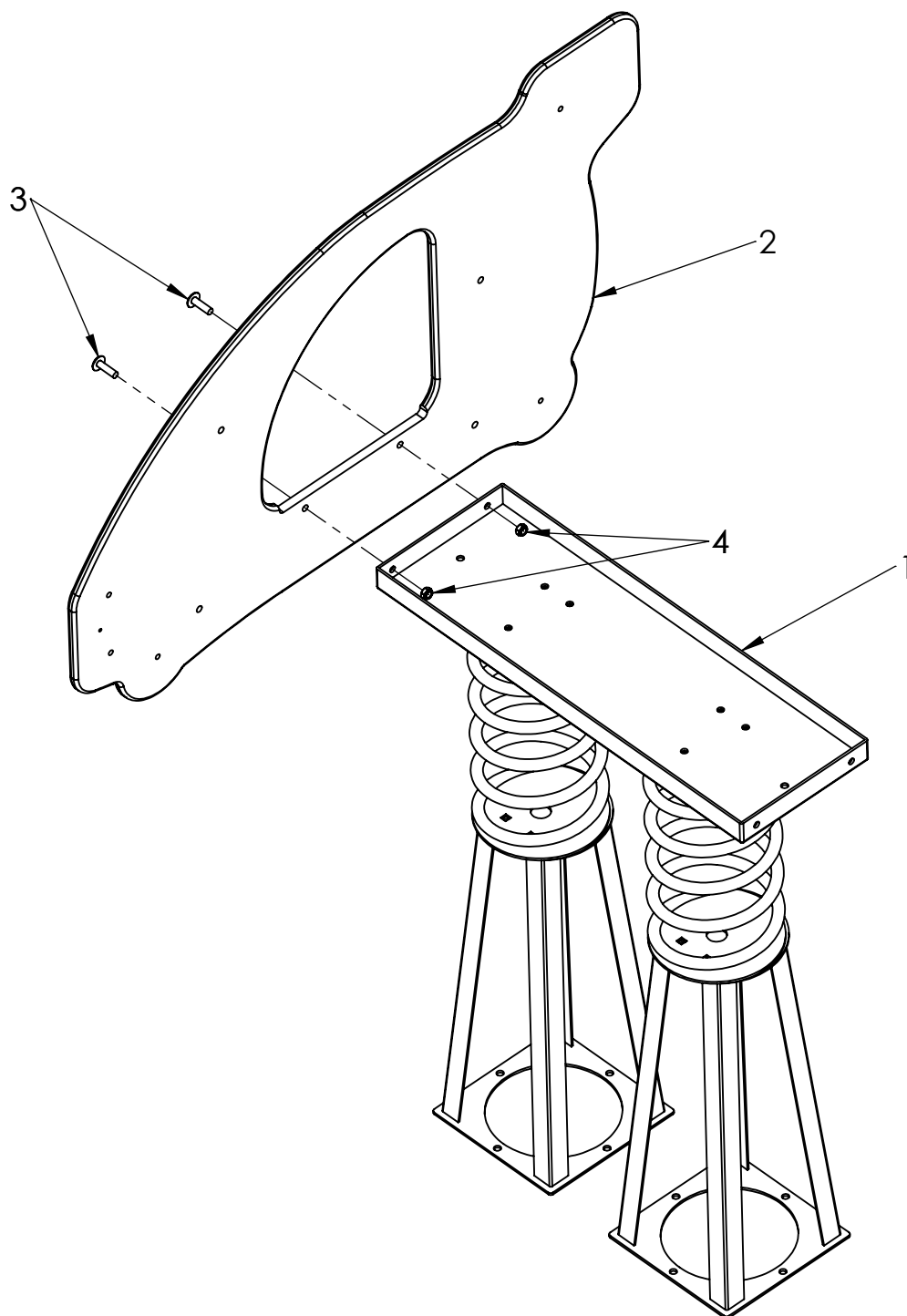
B

C

D

E

F



ITEM NO.	PART NUMBER
1	central console
2	VLI54 side panel
3	bolt DIN603 M10x35
4	nut DIN985 M10

UNLESS OTHERWISE SPECIFIED:  
DIMENSIONS ARE IN MILLIMETERS  
WEIGHT ARE IN KILOGRAMM

PART NUMBER / DWG NO.:

VLI54

	NAME	SIGNATURE	DATE	REVISION
DRAWN	E.Reispere		22.03.2022	
APPV'D				

DESCRIPTION:

Spring swing Aircraft

MATERIAL:

metal, plastic

A4

WEIGHT:

SCALE: 1:10

SHEET 10 OF 14



**Tiptiptap** OÜ

A

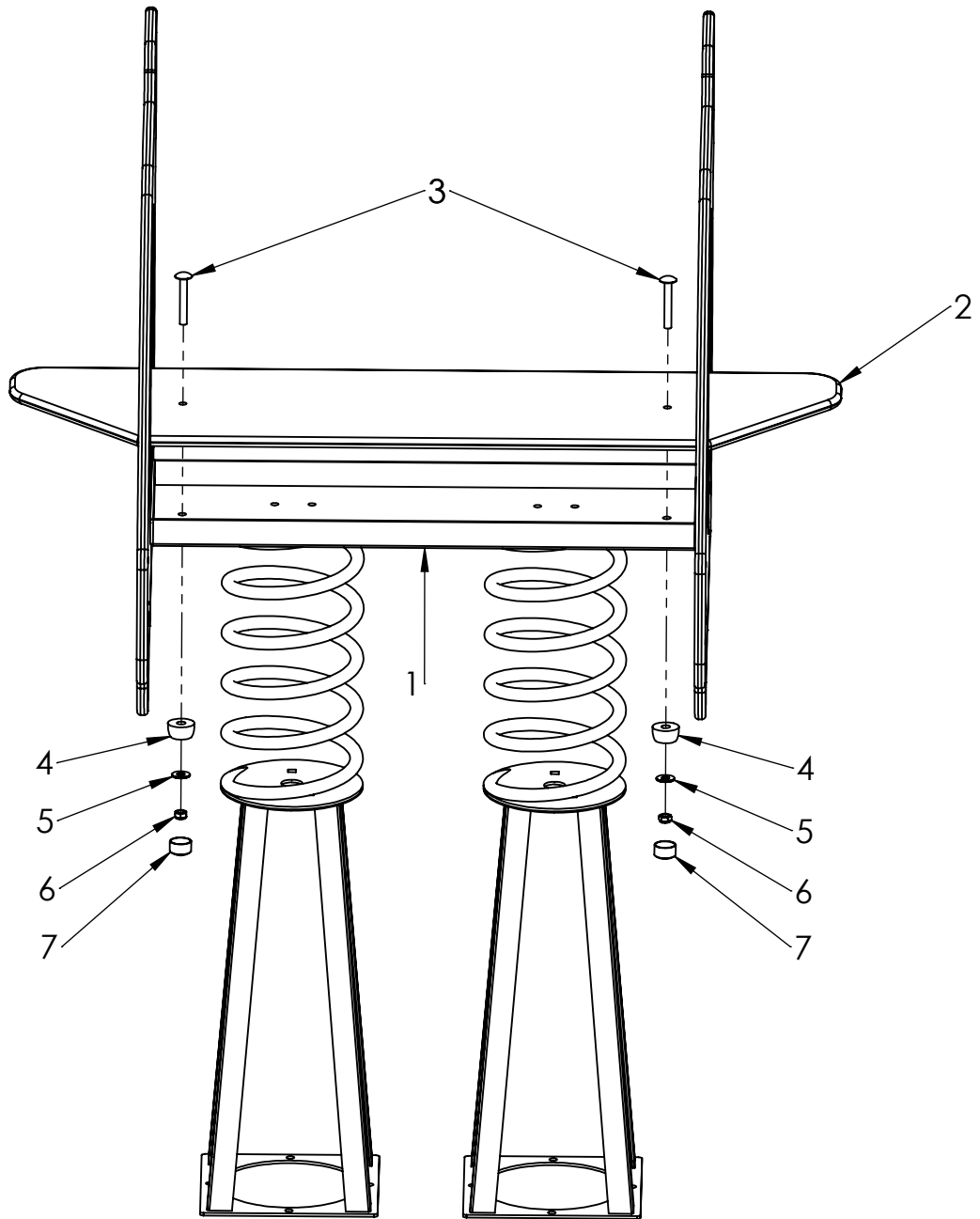
B

C

D

E

F



ITEM NO.	PART NUMBER
1	central console
2	VLI54 Aircraft seat
3	bolt DIN603 M10x70
4	nut cover M12
5	Washer M10 DIN9054
6	nut DIN985 M10
7	nut cover cap M12

UNLESS OTHERWISE SPECIFIED:  
DIMENSIONS ARE IN MILLIMETERS  
WEIGHT ARE IN KILOGRAMM

PART NUMBER / DWG NO.:

VLI54

	NAME	SIGNATURE	DATE	REVISION
DRAWN	E.Reispere		22.03.2022	
APPV'D				

DESCRIPTION:

Spring swing Aircraft

MATERIAL:

metal, plastic

A4

WEIGHT:

SCALE: 1:10

SHEET 11 OF 14



Tiptiptap OÜ

A

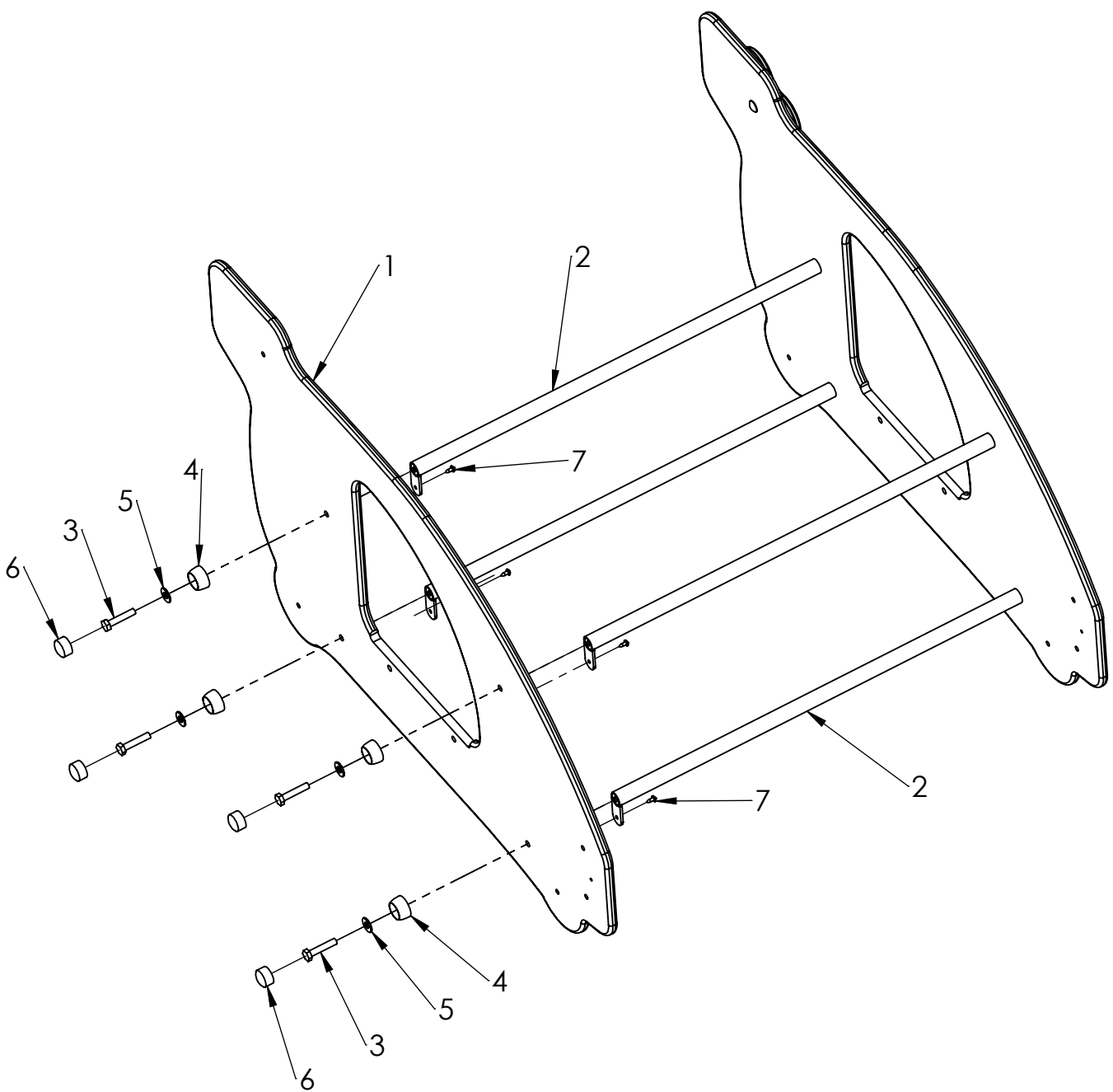
B

C

D

E

F



ITEM NO.	PART NUMBER
1	VLI54 side panel
2	Tube D25x770
3	bolt DIN933 M10x50
4	nut cover M12
5	Washer M10 DIN9054
6	nut cover cap M12
7	wood screw 4,8x13

UNLESS OTHERWISE SPECIFIED: DIMENSIONS ARE IN MILLIMETERS WEIGHT ARE IN KILOGRAMM				
	NAME	SIGNATURE	DATE	REVISION
DRAWN	E.Reispere		22.03.2022	
APPV'D				

PART NUMBER / DWG NO.:  
**VLI54**

DESCRIPTION:  
**Spring swing Aircraft**



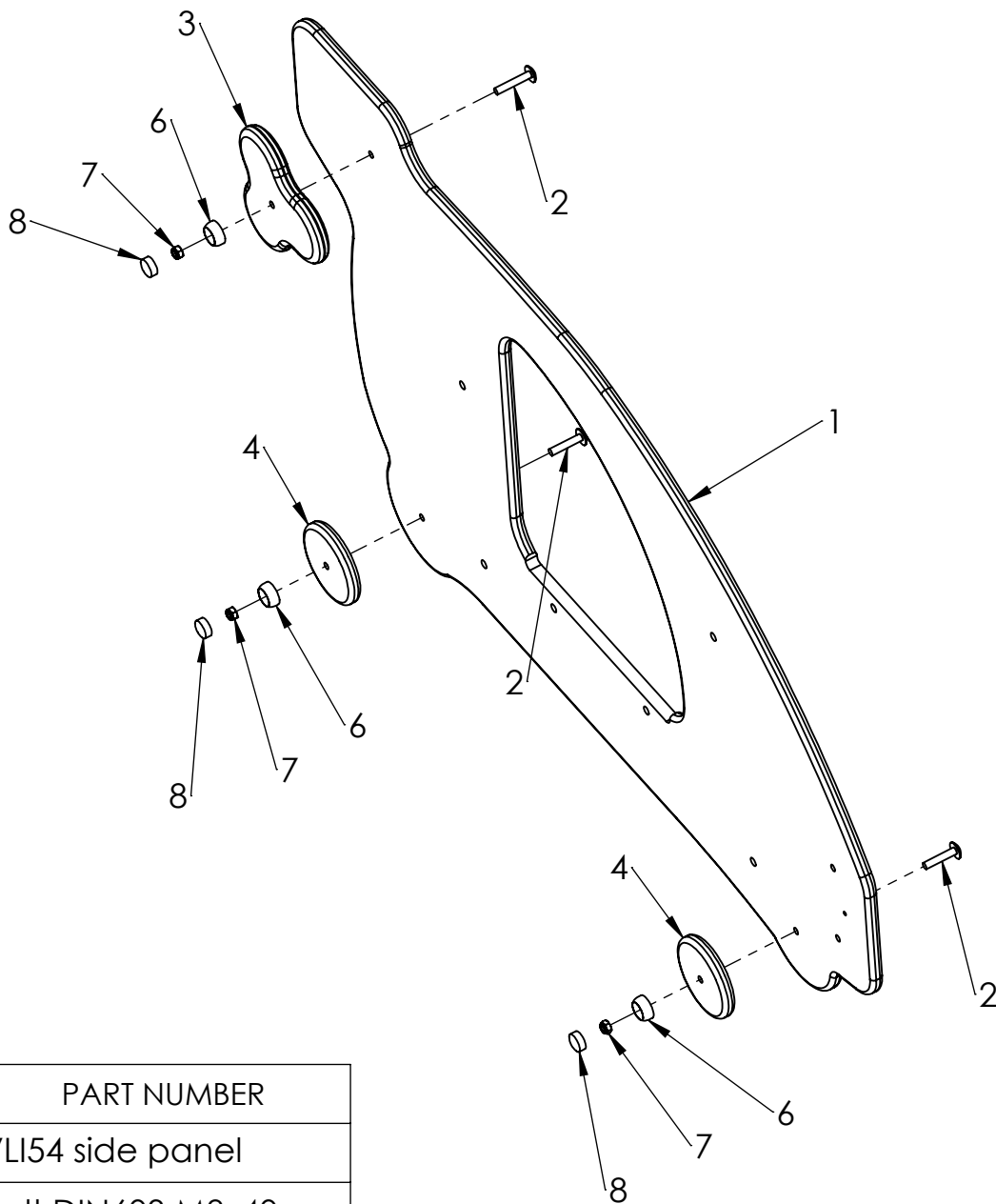
MATERIAL:	metal, plastic	A4
WEIGHT:		SCALE: 1:10
		SHEET 12 OF 14

A

B

C

D



ITEM NO.	PART NUMBER
1	VLI54 side panel
2	bolt DIN603 M8x40
3	VLI54 impeller
4	VLI54 Aircraft wheels
6	nut cover M8
7	nut DIN985 M8
8	nut cover cap M8

E

F

UNLESS OTHERWISE SPECIFIED:  
DIMENSIONS ARE IN MILLIMETERS  
WEIGHT ARE IN KILOGRAMM

PART NUMBER / DWG NO.:

VLI54

	NAME	SIGNATURE	DATE	REVISION
DRAWN	E.Reispere		22.03.2022	
APPV'D				

DESCRIPTION:

Spring swing Aircraft

MATERIAL:

metal, plastic

A4

WEIGHT:

SCALE: 1:10

SHEET 13 OF 14



**Tiptiptap** OÜ

A

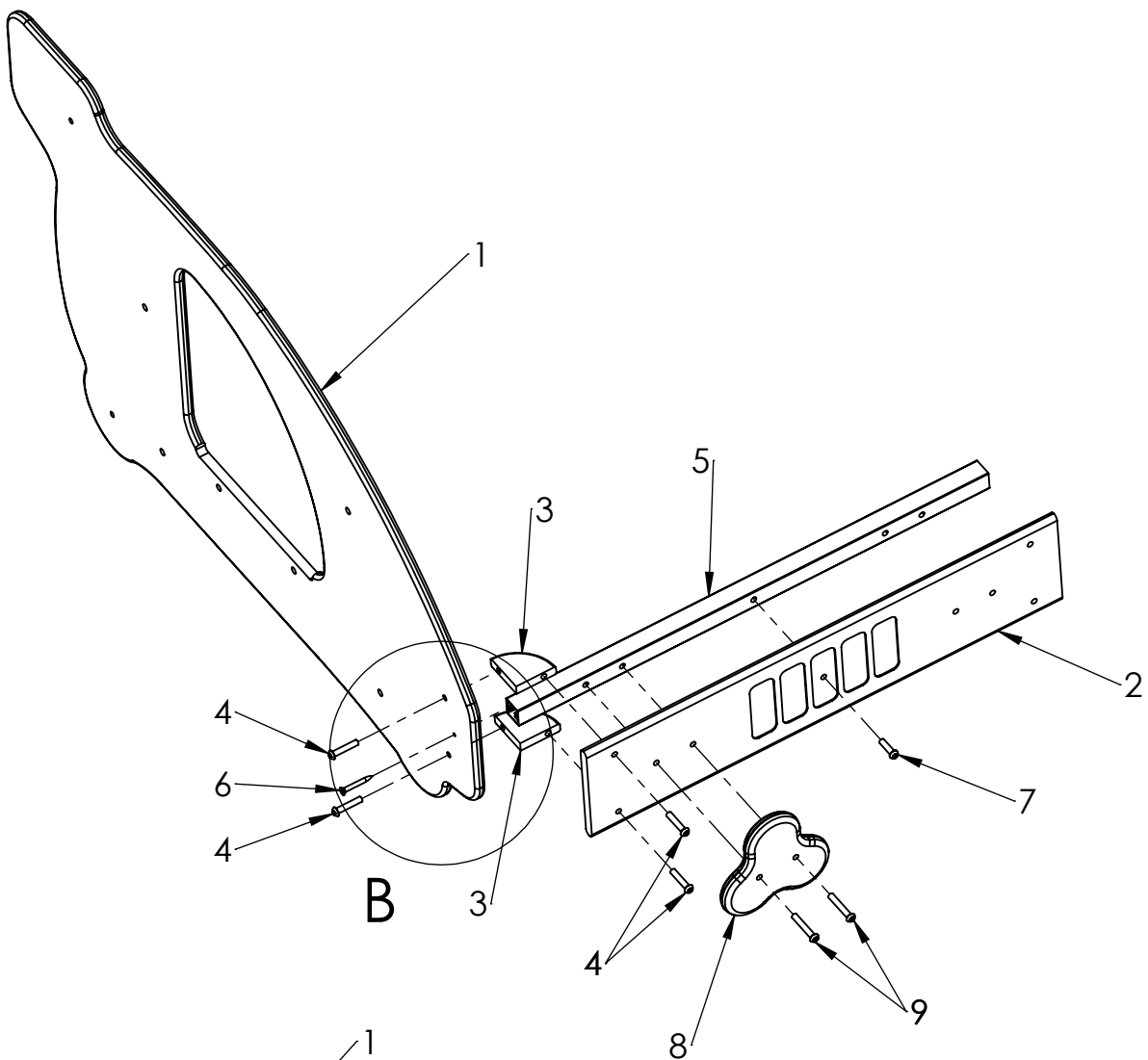
B

C

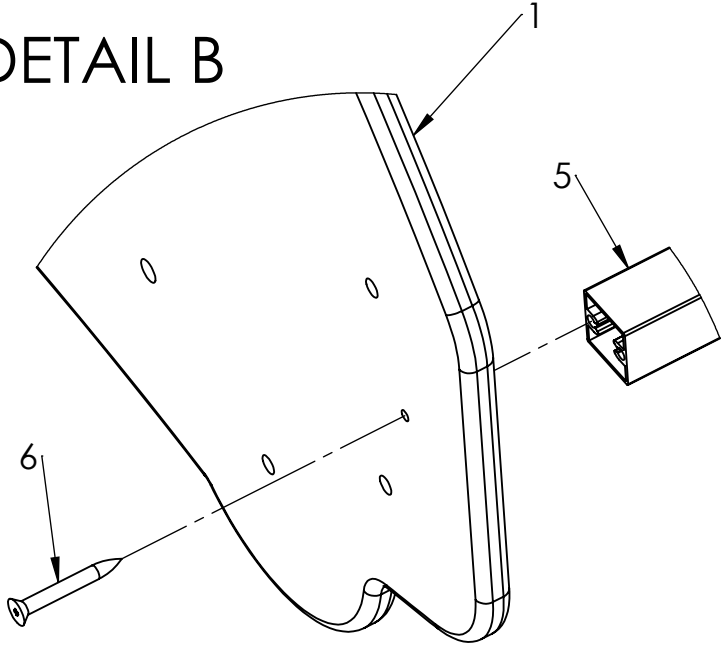
D

E

F



### DETAIL B



ITEM NO.	PART NUMBER
1	VLI54 side panel
2	VLI54 front panel
3	plastic corner 90°
4	bolt M8x40 pin tx Art.9121
5	VLI54 AL 30x30x770
6	Woodscrew 6x50
7	bolt M8x30 pin tx Art.9121
8	VLI54 impeller
9	bolt M8x50 pin tx Art.9121

UNLESS OTHERWISE SPECIFIED: DIMENSIONS ARE IN MILLIMETERS WEIGHT ARE IN KILOGRAMM				
	NAME	SIGNATURE	DATE	REVISION
DRAWN	E.Reispere		22.03.2022	
APPV'D				

PART NUMBER / DWG NO.:	VLI54
DESCRIPTION:	Spring swing Aircraft



**Tiptap** <sup>OO</sup>

MATERIAL:	metal, plastic	A4
WEIGHT:	SCALE: 1:10	SHEET 14 OF 14