

A

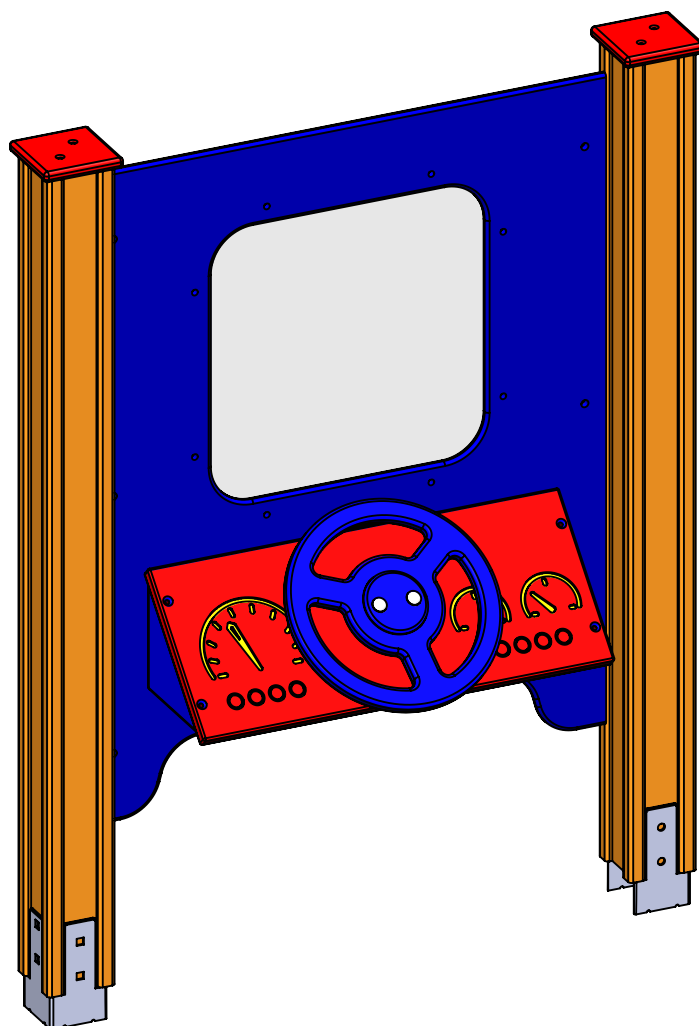
B

C

D

E

F



UNLESS OTHERWISE SPECIFIED:
DIMENSIONS ARE IN MILLIMETERS
WEIGHT ARE IN KILOGRAMM

PART NUMBER / DWG NO.:

AW14 PE

	NAME	SIGNATURE	DATE	REVISION
DRAWN	R.Fedotov		03.03.2020	
APPV'D				

DESCRIPTION:

Activity wall CAR PANEL



Tiptaptap OÜ

Tiptaptap OÜ
Veetorni 9,
Jüri alevik, Rae vald,
75301 Harjumaa

MATERIAL:

wood, metal, plastic

A4

WEIGHT:

SCALE: 1:10

SHEET 1 OF 9

Safety area

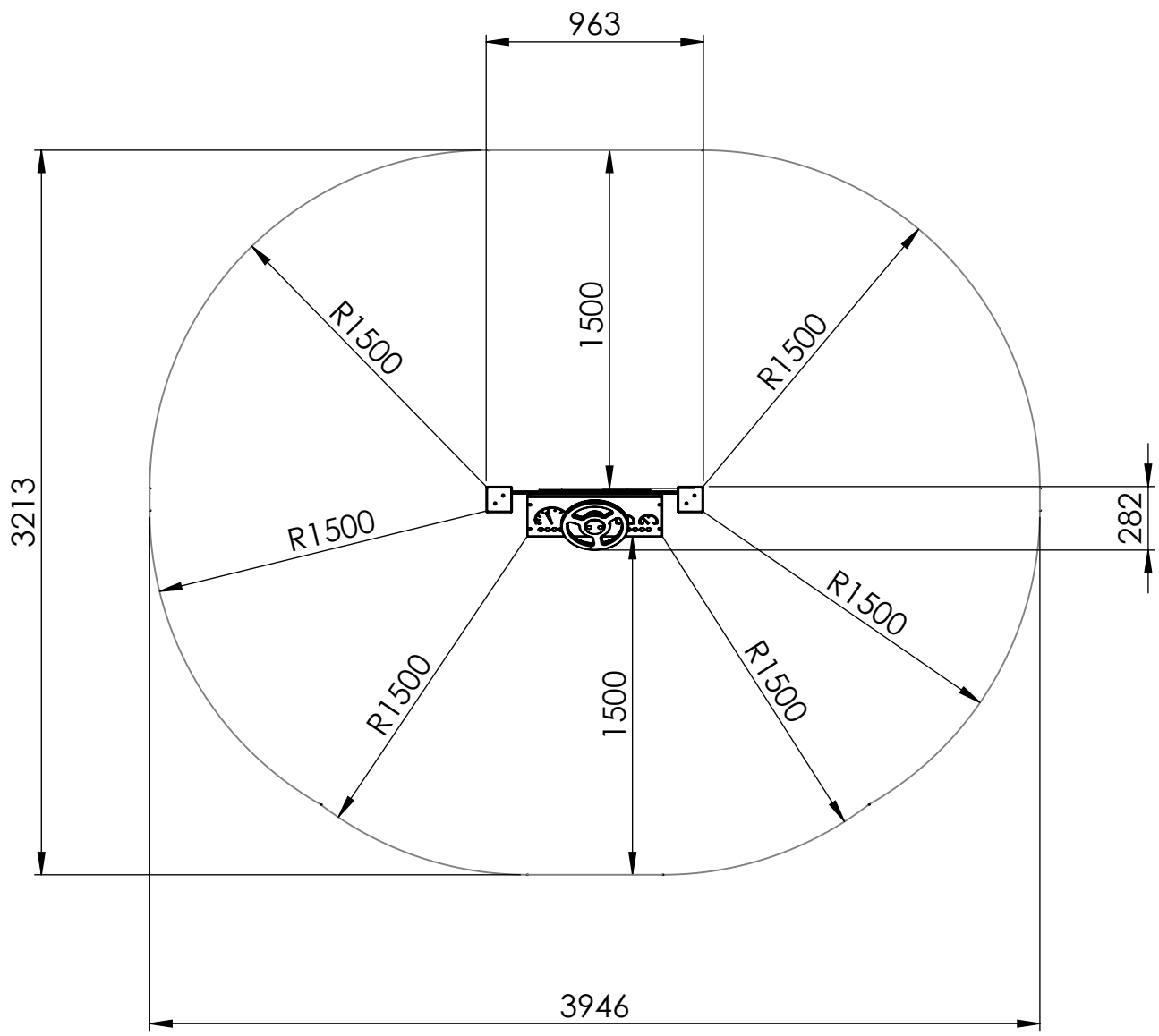
A

B

C

D

E



UNLESS OTHERWISE SPECIFIED: DIMENSIONS ARE IN MILLIMETERS WEIGHT ARE IN KILOGRAMM				
	NAME	SIGNATURE	DATE	REVISION
DRAWN	R.Fedotov		03.03.2020	
APPV'D				

PART NUMBER / DWG NO.: **AW14 PE**

DESCRIPTION:
Activity wall CAR PANEL

 **Tiptiptap** OÜ
Veetorni 9,
Jüri alevik, Rae vald,
75301 Harjumaa

MATERIAL:	wood, metal, plastic	A4
WEIGHT:		SCALE: 1:30
		SHEET 2 OF 9

Foundation

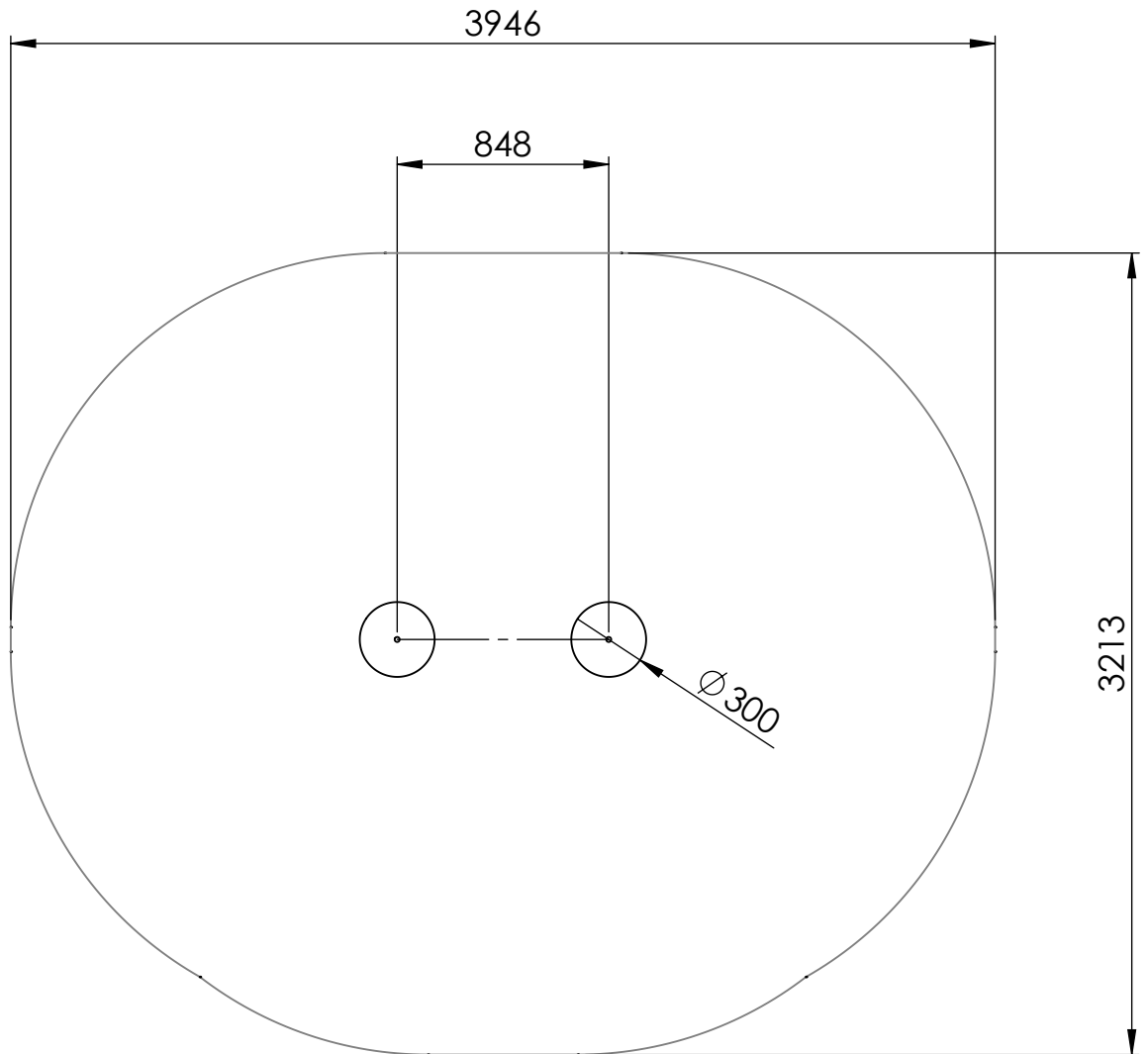
A

B

C

D

E



Depth of foundation: 600mm

UNLESS OTHERWISE SPECIFIED:
DIMENSIONS ARE IN MILLIMETERS
WEIGHT ARE IN KILOGRAMM

PART NUMBER / DWG NO.:

AW14 PE

	NAME	SIGNATURE	DATE	REVISION
DRAWN	R.Fedotov		03.03.2020	
APPV'D				

DESCRIPTION:

Activity wall CAR PANEL

F



Tiptiptap OÜ

Tiptiptap OÜ
Veetorni 9,
Jüri alevik, Rae vald,
75301 Harjumaa

MATERIAL:

wood, metal, plastic

A4

WEIGHT:

SCALE: 1:30

SHEET 3 OF 9

A

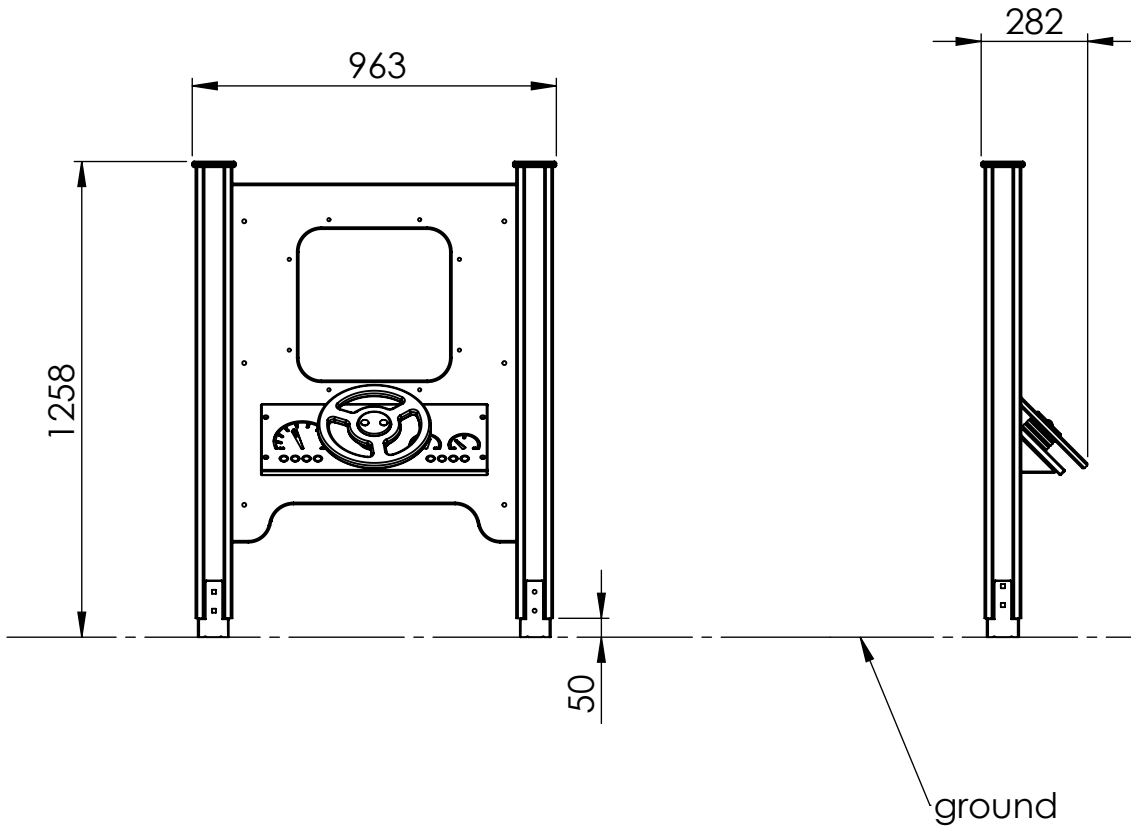
B

C

D

E

F



UNLESS OTHERWISE SPECIFIED:
 DIMENSIONS ARE IN MILLIMETERS
 WEIGHT ARE IN KILOGRAMM

PART NUMBER / DWG NO.:

AW14 PE

	NAME	SIGNATURE	DATE	REVISION
DRAWN	R.Fedotov		03.03.2020	
APPV'D				

DESCRIPTION:

Activity wall CAR PANEL



Tiptaptap OÜ

Tiptaptap OÜ
 Veetorni 9,
 Jüri alevik, Rae vald,
 75301 Harjumaa

MATERIAL:

wood, metal, plastic

A4

WEIGHT:

SCALE: 1:20

SHEET 4 OF 9

A

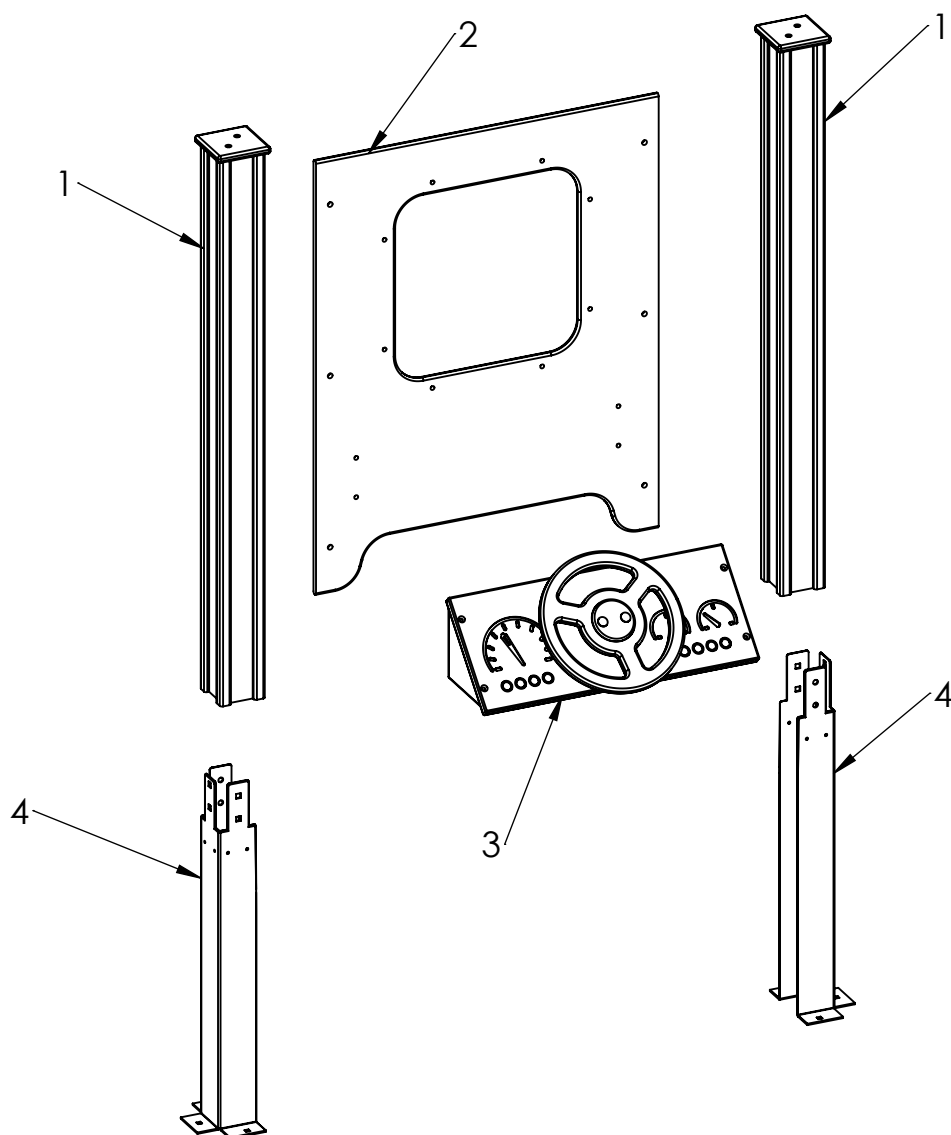
B

C

D

E

F



ITEM NO.	PART NUMBER	DESCRIPTION	QTY.
1	post 98x98x1200	laminated wood	2
2	AW14 panel 950x752	HDPE plastic	1
3	playcorner-driver's cab	HDPE plastic	1
4	U ground fixing	stainless steel	2

UNLESS OTHERWISE SPECIFIED:
DIMENSIONS ARE IN MILLIMETERS
WEIGHT ARE IN KILOGRAMM

PART NUMBER / DWG NO.:

AW14 PE

	NAME	SIGNATURE	DATE	REVISION
DRAWN	R.Fedotov		03.03.2020	
APPV'D				

DESCRIPTION:

Activity wall CAR PANEL

MATERIAL:

wood, metal, plastic

A4

WEIGHT:

SCALE: 1:15

SHEET 5 OF 9



Tiptaptap OÜ

Tiptaptap OÜ
Veetorni 9,
Jüri alevik, Rae vald,
75301 Harjumaa

A

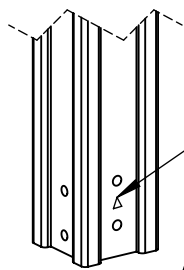
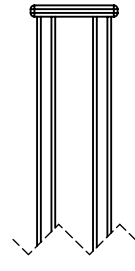
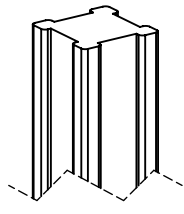
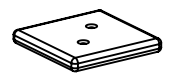
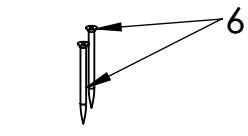
B

C

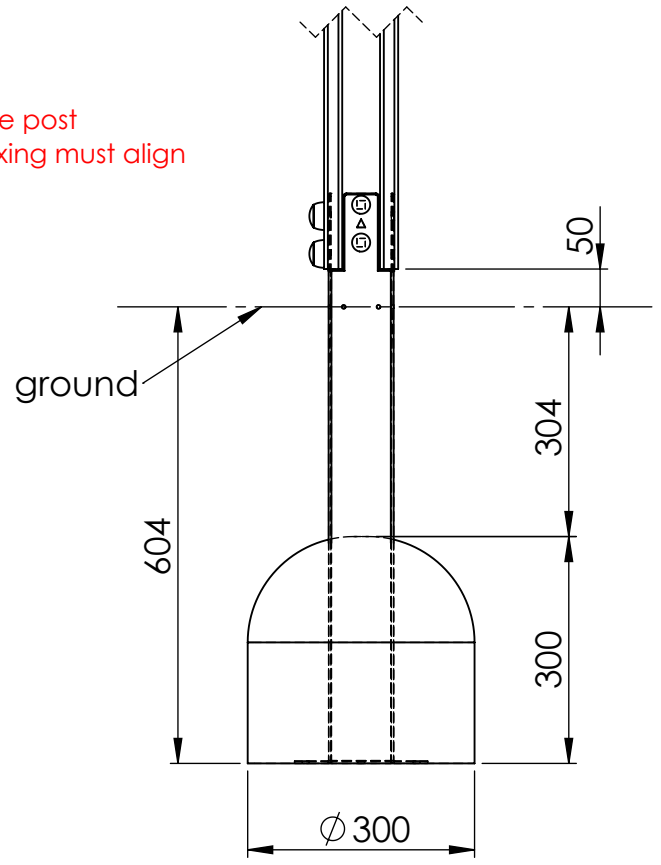
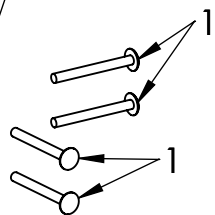
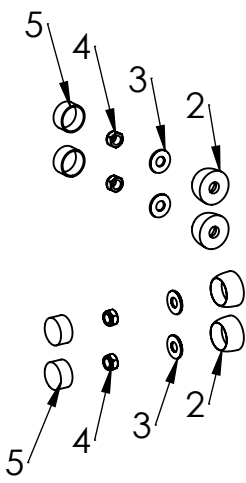
D

E

F



marking on the post
and ground fixing must align



U ground fixing

ITEM NO.	PART NUMBER
1	bolt DIN603 M10x100
2	nut cover M12
3	Washer M10 DIN9054
4	nut DIN985 M10
5	nut cover cap M12
6	Woodscrew 6 x 90

UNLESS OTHERWISE SPECIFIED:
DIMENSIONS ARE IN MILLIMETERS
WEIGHT ARE IN KILOGRAMM

PART NUMBER / DWG NO.:
AW14 PE

	NAME	SIGNATURE	DATE	REVISION
DRAWN	R.Fedotov		03.03.2020	
APPV'D				

DESCRIPTION:
**Activity wall CAR PANEL
connecting U-ground fixing to post**



Tiptaptap OÜ
Veetorni 9,
Jüri alevik, Rae vald,
75301 Harjumaa

MATERIAL:	wood, metal, plastic	A4
WEIGHT:	SCALE: 1:8	SHEET 6 OF 9

A

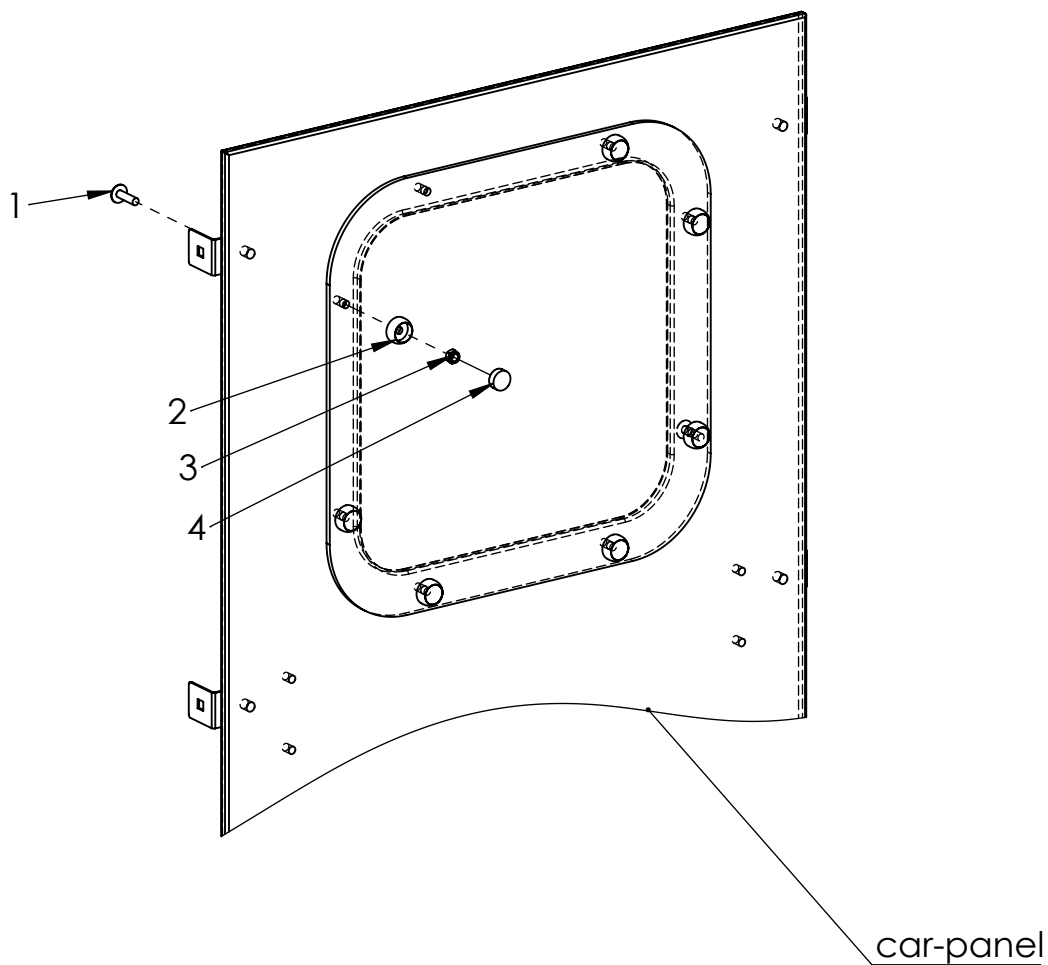
B

C

D

E

F



ITEM NO.	PART NUMBER
1	bolt DIN603 M8x30
2	nut cover M8
3	nut DIN985 M8
4	nut cover cap M8

UNLESS OTHERWISE SPECIFIED:
DIMENSIONS ARE IN MILLIMETERS
WEIGHT ARE IN KILOGRAMM

PART NUMBER / DWG NO.:

AW14 PE

	NAME	SIGNATURE	DATE	REVISION
DRAWN	R.Fedotov		03.03.2020	
APPV'D				

DESCRIPTION:

Activity wall CAR PANEL

Fixing glass to panel

MATERIAL:

wood, metal, plastic

A4

WEIGHT:

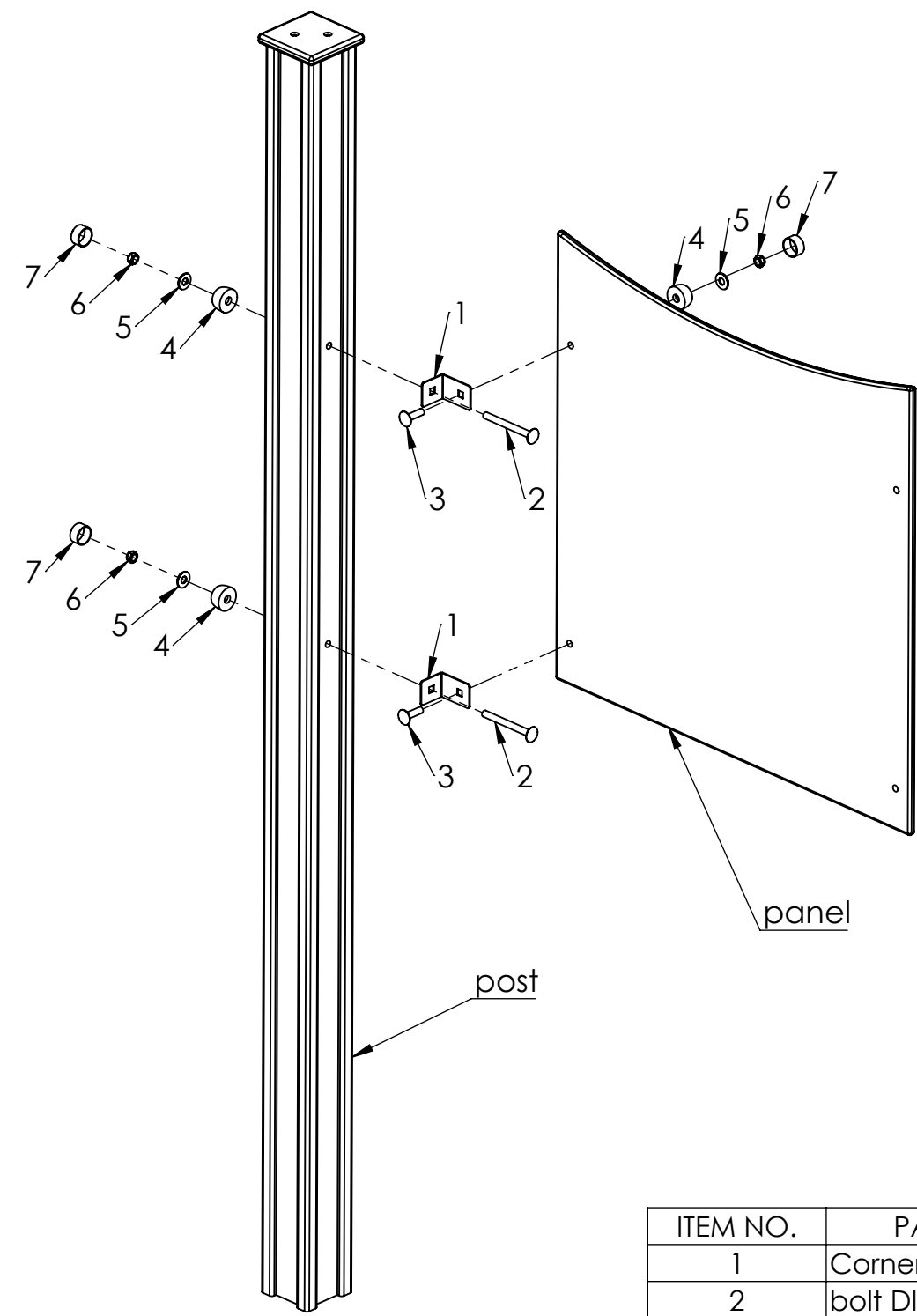
SCALE: 1:8

SHEET 7 OF 9



Tiptaptap OÜ

Tiptaptap OÜ
Veetorni 9,
Jüri alevik, Rae vald,
75301 Harjumaa



ITEM NO.	PART NUMBER
1	Corner 90°
2	bolt DIN603 M10x100
3	bolt DIN603 M10x35
4	nut cover M12
5	Washer M10 DIN9054
6	nut DIN985 M10
7	nut cover cap M12

UNLESS OTHERWISE SPECIFIED:
DIMENSIONS ARE IN MILLIMETERS
WEIGHT ARE IN KILOGRAMM

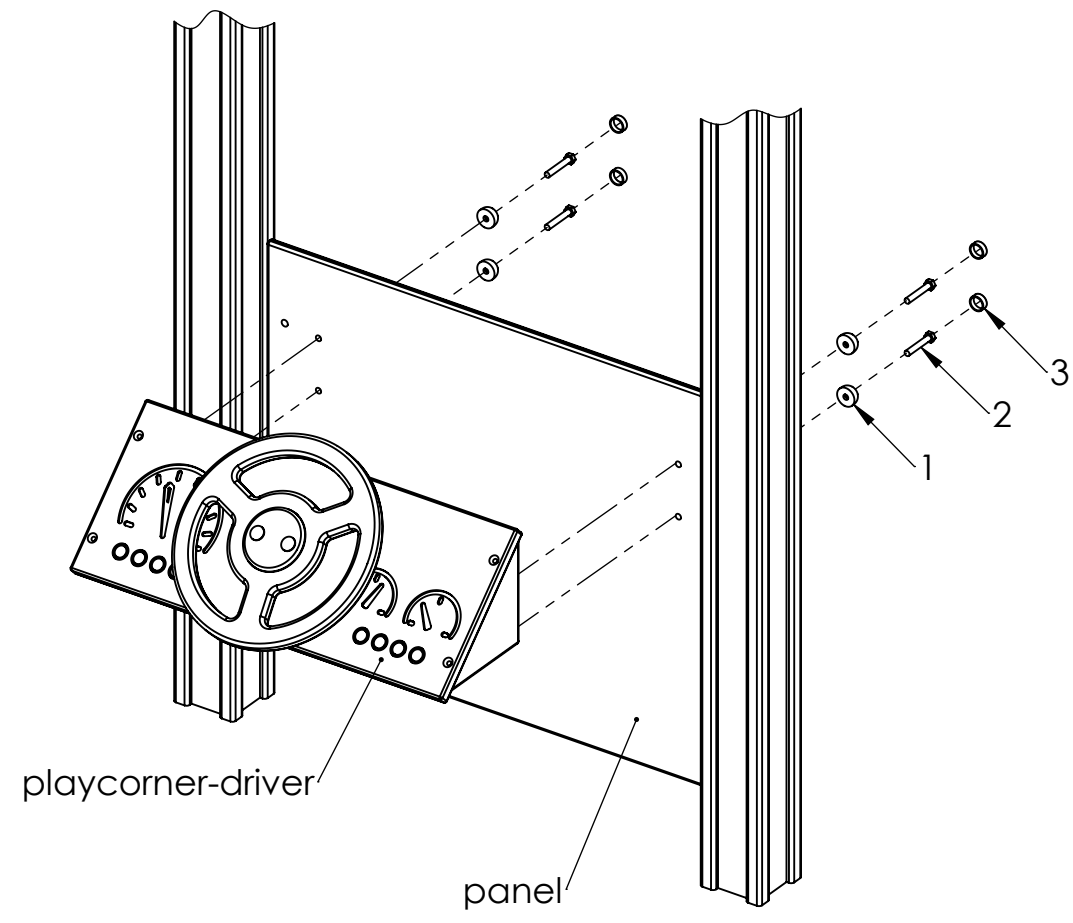
PART NUMBER / DWG NO.: **AW14 PE**

	NAME	SIGNATURE	DATE	REVISION
DRAWN	R.Fedotov		03.03.2020	
APPV'D				

DESCRIPTION:
**Activity wall CAR PANEL
connecting panel to post**

 **Tiptaptap** OÜ
Tiptaptap OÜ
Veetorni 9,
Jüri alevik, Rae vald,
75301 Harjumaa

MATERIAL:	wood, metal, plastic	A4
WEIGHT:	SCALE: 1:10	SHEET 8 OF 9



playcorner-driver

panel

ITEM NO.	PART NUMBER
1	nut cover M8
2	bolt DIN933 M8x50
3	nut cover cap M8

UNLESS OTHERWISE SPECIFIED:
DIMENSIONS ARE IN MILLIMETERS
WEIGHT ARE IN KILOGRAMM

PART NUMBER / DWG NO.: **AW14 PE**

	NAME	SIGNATURE	DATE	REVISION
DRAWN	R.Fedotov			
APPV'D				

DESCRIPTION:
Activity wall CAR PANEL
connecting playcorner-driver to panel



Tiptaptap OÜ
Veetorni 9,
Jüri alevik, Rae vald,
75301 Harjumaa

MATERIAL:	wood, metal, plastic	A4
WEIGHT:	SCALE: 1:10	SHEET 9 OF 9